

IMPROVE YOUR HOME & IMPROVE OUR WORLD

**ZANAT**

# Stonehenge Bench

**PRODUCT NAME**

Stonehenge Bench

**DESIGNER**

Palomba Serafini Associati

**YEAR OF DESIGN**

2026

Stonehenge Bench continues the collection's exploration of archetypal forms and primordial balance. Inspired by the logic of ancient megaliths, it is composed of a solid wood top supported by two monolithic elements, creating a composition that feels both elementary and precise. Like the Stonehenge stools, the bench is reduced to essential volumes, where proportion and material define the object. Carved from solid wood and softened by carefully calibrated edges, it expresses a sense of warmth and quiet strength. The bench functions equally as seating or as a low architectural element, embodying the primordial allure that characterizes the Stonehenge collection. Stonehenge bench will be available in maple, black or wenge stained, as well as oiled walnut.



## DIMENSIONS

W 110 D 45 H 41.5 cm  
W 43.3" D 17.7" H 26.8"

**PACKAGING** — AIR/OCEAN freight  
MDF crate.

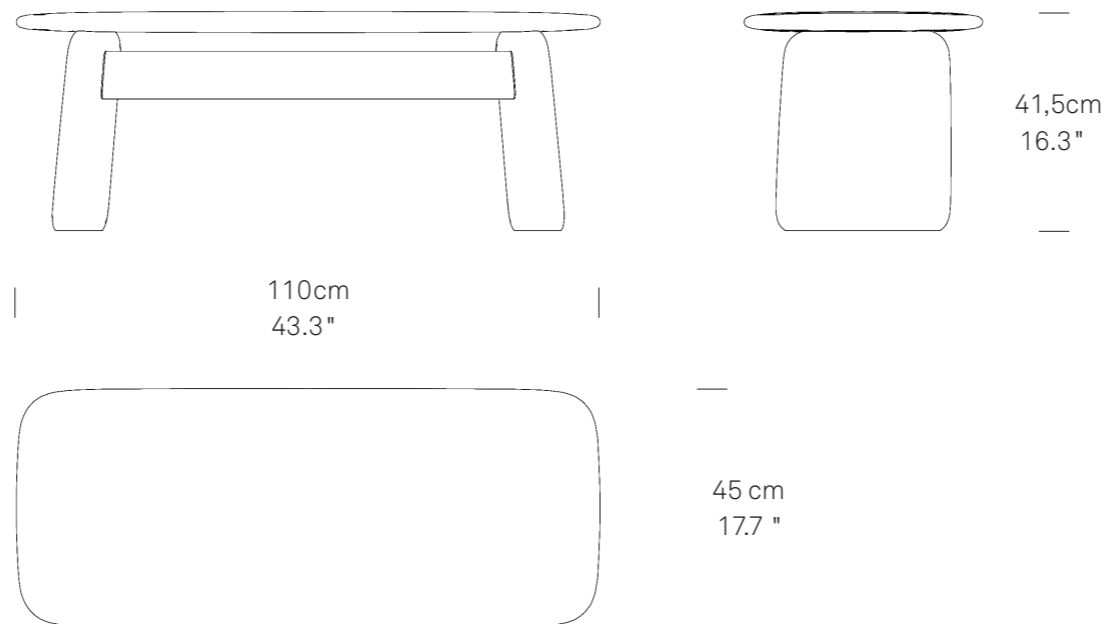
W 118 D 53 H 59 cm  
W 46.5" D 20.9" H 23.2"

## NET WEIGHT

22 kg / 48.5 lb\*

**PACKED WEIGHT** — AIR/OCEAN freight

53.1 kg / 117.1 lb\*



\* Product weights are approximate and vary based on wood species. Different wood densities affect overall weight, even within the same species. If only one weight is shown, it represents the average for maple, ash, and walnut—maple and walnut are similar, while ash is 4% heavier. Oak's weight can be estimated by adding 11% to the net weight. These variations may impact handling, transport, and usage.

\*\* 2D models, 3D models and product images can be found on the product page of ZANAT website.

## PREASSEMBLED

## CUSTOMIZATION OPTIONS

Custom finishes may be possible upon request.

## ENVIRONMENT

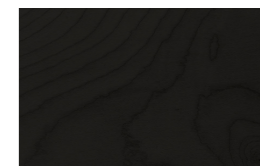
Indoor. Outdoor is possible if protected from sunlight and precipitation.

## COUNTRY OF ORIGIN

Bosnia and Herzegovina

## WOOD AND FINISHES

Maple, black stain, matte polyurethane lacquer



Walnut, oil



## CARVING PATTERN



\*\*\* Please note that colors are only indicative. In particular, color variations are possible in wood that is not stained.