

IMPROVE YOUR HOME & IMPROVE OUR WORLD

ZANAT

Nave Table

PRODUCT NAME

Nave Table

DESIGNER

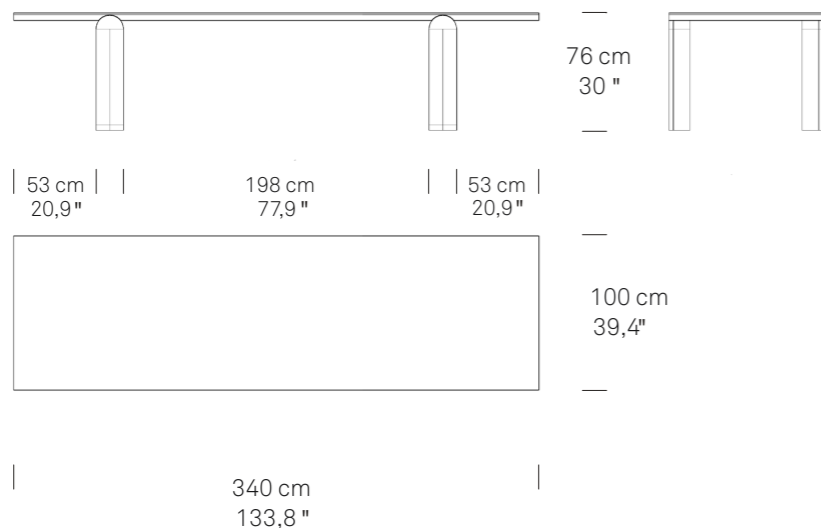
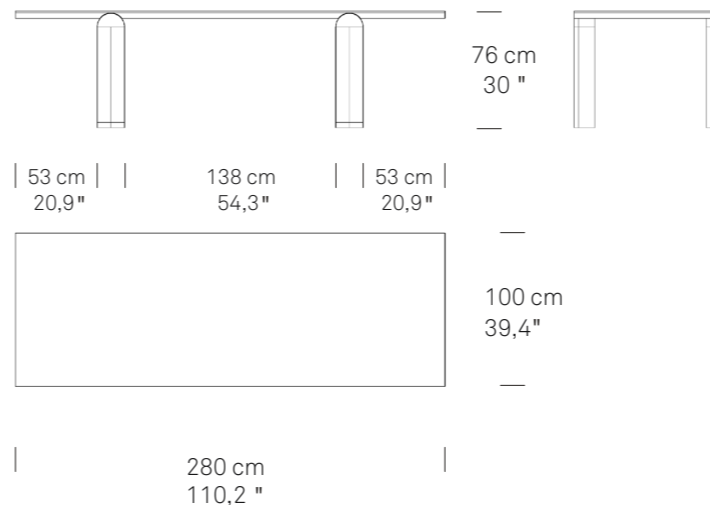
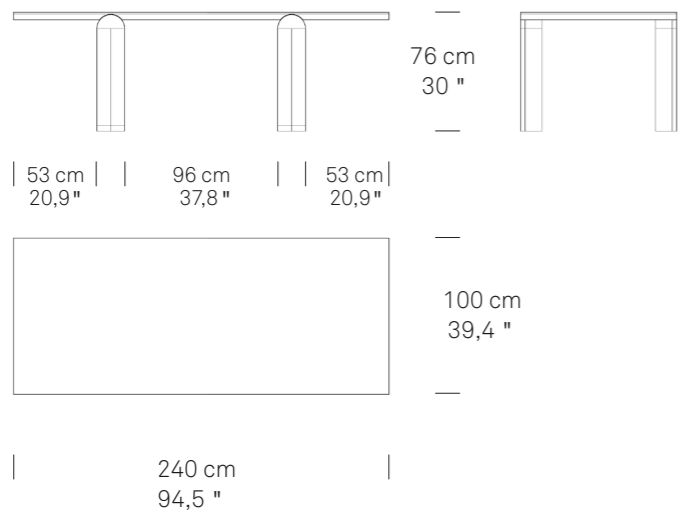
Patrick Norguet

YEAR OF DESIGN

2026



The Nave Table brings a quiet architectural presence to the space. Its sculptural rounded legs recall the calm rhythm of cathedral columns, supporting the tabletop with balance and poise while creating a sense of grounded elegance. On the front side of the legs, Zanat's signature hand-carved texture adds depth and tactility to the form. The carved surface subtly accentuates the rounded volume of the legs, enriching their sculptural character while inviting the touch of the hand. This interplay of smooth structure and carved relief highlights the natural beauty of the wood and the material intelligence of the craft. Crafted from solid wood and finished by hand, the table celebrates the warmth and character of the material. Like the central nave of a great hall, the table becomes a place of gathering, an architectural object that quietly organizes the space around it.



NOT PREASSEMBLED

CUSTOMIZATION OPTIONS

Dimensions of this table can be customized. Maximum width 100 cm, maximum length 340 cm. Custom finishes may be possible upon request.

ENVIRONMENT

Indoor. Outdoor is possible if protected from sunlight and precipitation.

	DIMENSIONS	NET WEIGHT	PACKAGING TRUCK/AIR/OCEAN freight	PACKED WEIGHT TRUCK/AIR/OCEAN freight	PACKAGE TYPE
DIMENSION 1	W 240 D 100 H 76 cm / W 94.5" D 39.4" H 30"	101 kg / 222.7 lb*	W 108 D 248 H 37 cm / W 42.5" D 97.3" H 14.5"	171.7 kg / 378.5 lb*	MDF crate
DIMENSION 2	W 280 D 100 H 76 cm / W 110.2" D 39.4" H 30"	118 kg / 260.2 lb*	W 108 D 288 H 37 cm / W 42.5" D 113.4" H 14.5"	198.6 kg / 437.8 lb*	MDF crate
DIMENSION 3	W 340 D 100 H 76 cm / W 133.8" D 39.4" H 30"	143 kg / 315.3 lb*	W 108 D 348 H 37 cm / W 42.5" D 137.0" H 14.5"	238.5 kg / 525.8 lb*	MDF crate

* Product weights are approximate and vary based on wood species. Different wood densities affect overall weight, even within the same species. If only one weight is shown, it represents the average for maple, ash, and walnut—maple and walnut are similar, while ash is 4% heavier. Oak's weight can be estimated by adding 11% to the net weight. These variations may impact handling, transport, and usage.

** 2D models, 3D models and product images can be found on the product page of ZANAT website.

WOOD AND FINISHES

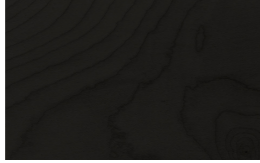
Maple, black stain, matte polyurethane lacquer



+

+

Ash, black stain, matte polyurethane lacquer



Oak, oil



Oak, white oil



Walnut, oil



CARVING PATTERNS



Tiny touch



Grooves

*** Please note that colors are only indicative. In particular, color variations are possible in wood that is not stained.

COUNTRY OF ORIGIN
Bosnia and Herzegovina