

IMPROVE YOUR HOME & IMPROVE OUR WORLD

ZANAT

Kira Lounge Chair

PRODUCT NAME

Kira Lounge Chair

DESIGNER

Jean-Marie Massaud

YEAR OF DESIGN

2026



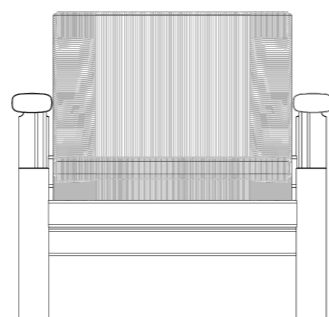
This armchair combines structural clarity with natural warmth. Crafted from solid wood, its rounded legs and generous proportions give the piece a calm architectural presence while expressing the strength and honesty of the material. The seat and backrest are woven from Danish paper cord, a traditional material valued for its durability, flexibility, and tactile comfort. The woven surface introduces a subtle rhythm and visual softness that contrasts beautifully with the smooth wooden structure. The armrests are enriched with Zanat's signature hand-carved texture, creating a tactile experience for the hands. The carved pattern gently echoes the linear rhythm of the woven paper cord, establishing a quiet dialogue between wood and weave while emphasizing the sculptural character of the armrests. With its balanced proportions and interplay of structure, texture, and natural materials, the chair becomes a quietly sculptural object designed for rest and everyday comfort. An alternative version with a fabric-upholstered seat and backrest is also available, offering enhanced seating softness and softer visual expression.

DIMENSIONS

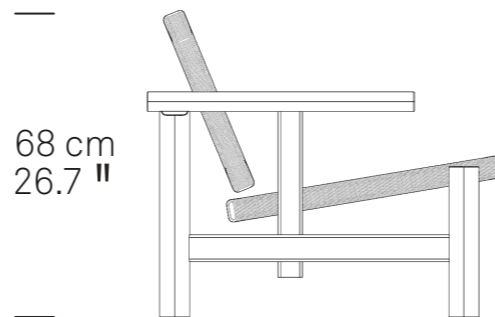
W 72 D 79 H 68, SH 36 cm /
W 28.3" D 31.1" H 26.8", SH 14.2"

PACKAGING — AIR/OCEAN freight
MDF crate.

W 80 D 88 H 86 cm /
W 31.5" D 34.7" H 33.9"

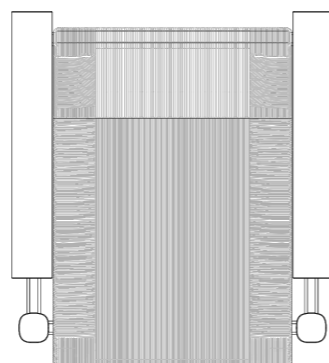


53 cm
20.9 "



68 cm
26.7 "

36 cm
14.2 "



72 cm
28.3 "

* Product weights are approximate and vary based on wood species and selected version of Kira Chair. Different wood densities affect overall weight, even within the same species. If only one weight is shown, it represents the average for maple, ash, and walnut—maple and walnut are similar, while ash is 4% heavier. Oak's weight can be estimated by adding 11% to the net weight. These variations may impact handling, transport, and usage.

** 2D models, 3D models and product images can be found on the product page of ZANAT website.

NET WEIGHT

26 kg / 57.3 lb*

PACKED WEIGHT — AIR/OCEAN freight

63.6 kg / 140.2 lb*

STACKABLE / MAX STACKING QUANTITY PER BOX

NO / 1

PREASSEMBLED

CUSTOMIZATION OPTIONS

Custom finishes can be specified.

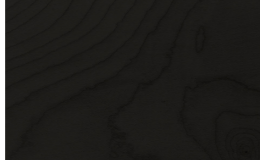
COM and COL customization is offered for orders larger than 4 pieces, but new materials (fabric and leather) may need to be tested prior to order acceptance.

ENVIRONMENT

Indoor. Outdoor is possible if protected from sunlight and precipitation.

WOOD AND FINISHES

Maple, black stain, matte polyurethane lacquer



Oak, oil



Oak, white oil



Walnut, oil



SEAT CUSHION

WEAVING
Natural paper strand cord

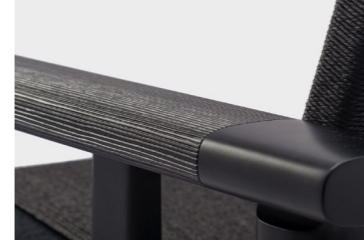


WEAVING
Black paper strand cord



Upholstered version coming soon

CARVING PATTERN



Maple, black

AMOUNT PAPER STRAND CORD

650 m / 2,133 ft

*** Please note that colors are only indicative. In particular, color variations are possible in wood that is not stained.

COUNTRY OF ORIGIN

Bosnia and Herzegovina