

IMPROVE YOUR HOME & IMPROVE OUR WORLD

ZANAT

Korzo Bistrot & Side Tables

PRODUCT NAME

Korzo Bistrot Tables

DESIGNER

Patrick Norguet

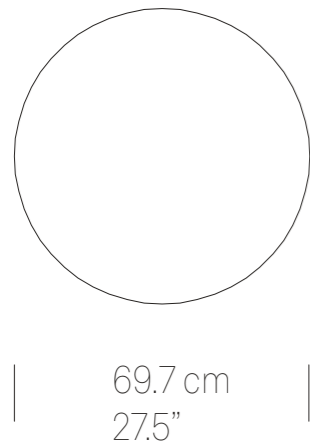
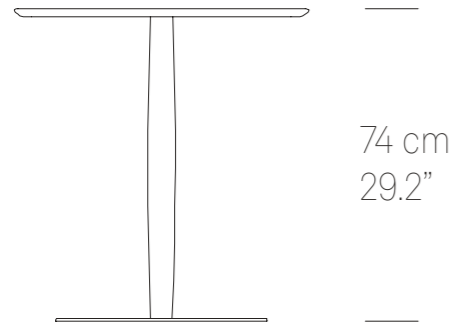
YEAR OF DESIGN

2024

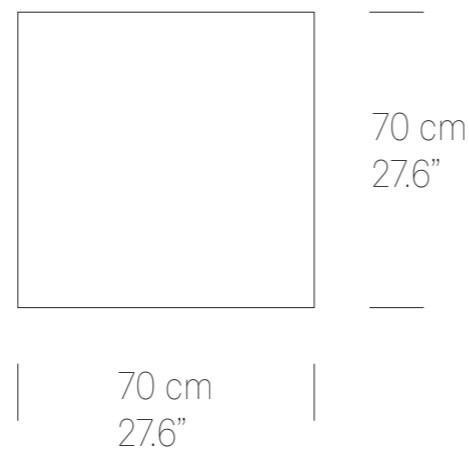
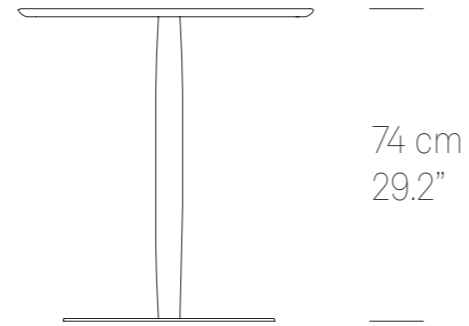


Korzo Bistrot and Side Tables is a collection of highly functional, but at the same time very refined bistrot and side tables. These tables are suitable for use in residential and upscale commercial spaces. The bistrot tables are for dining height seating, while the side tables are intended for lounge settings. The foot of the table is made in solid metal (copper coated or black powder coated steel). The light tabletops are chamfered from underneath and carved on top around the edges with a gentle carving pattern that adds tactile experience without compromising the functionality of these tables in high-usage commercial settings. The central support table leg is elegantly sculpted in solid wood, adding both elegance and warmth, not only to the product but to interiors that house them. The tables can be ordered in oak, walnut, and stained maple.

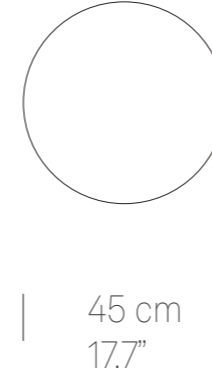
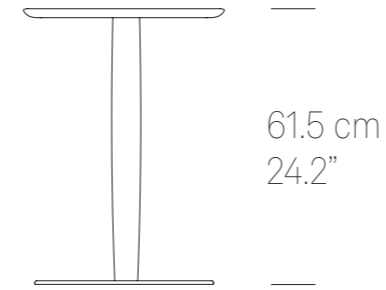
ROUND TABLE



SQUARE TABLE



SIDE TABLE



NOT PREASSEMBLED

ENVIRONMENT

Indoor. Outdoor is possible if protected from sunlight and precipitation.

CUSTOMIZATION OPTIONS

Custom finishes may be possible upon request.

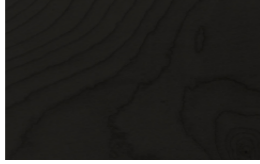
	DIMENSIONS	NET WEIGHT	PACKAGING TRUCK/AIR/OCEAN freight	PACKED WEIGHT TRUCK/AIR/OCEAN freight	PACKAGE TYPE
ROUND TABLE	Ø 69.7 H 74 cm / Ø 27.5" H 29.2"	20.5 kg / 45.0 lb*	W 78 D 78 H 29 cm / W 30.7" D 30.7" H 11.5"	43.5 kg / 96.0 lb*	MDF crate
SQUARE TABLE	W 70 D 70 H 74 cm / W 27.6" D 27.6" H 29.2"				
SIDE TABLE	Ø 45 H 61.5 cm / Ø 17.7" H 24.2"	14.5 kg / 31.9 lb*	W 68 D 55 H 29 cm / W 26.7" D 21.7" H 11.4"	29.5 kg / 65 lb*	MDF crate

* Product weights are approximate and vary based on wood species. Different wood densities affect overall weight, even within the same species. If only one weight is shown, it represents the average for maple, ash, and walnut—maple and walnut are similar, while ash is 4% heavier. Oak's weight can be estimated by adding 11% to the net weight. These variations may impact handling, transport, and usage.

** 2D models, 3D models and product images can be found on the product page of ZANAT website.

WOOD AND FINISHES

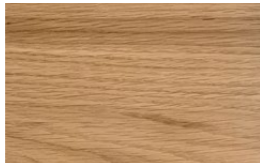
Maple, black stain, matte polyurethane lacquer



Maple, wenge stain, matte polyurethane lacquer



Oak, oil



Oak, white oil



Walnut, oil



STEEL BASE



Black steel base



Copper-coated steel base

CARVING PATTERN



Walnut, oil

*** Tables are available with black steel base or copper-coated steel base.

**** Please note that colors are only indicative. In particular, color variations are possible in wood that is not stained.

COUNTRY OF ORIGIN

Bosnia and Herzegovina